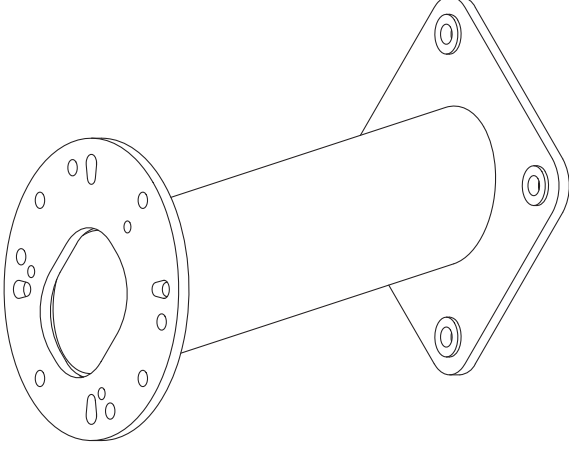
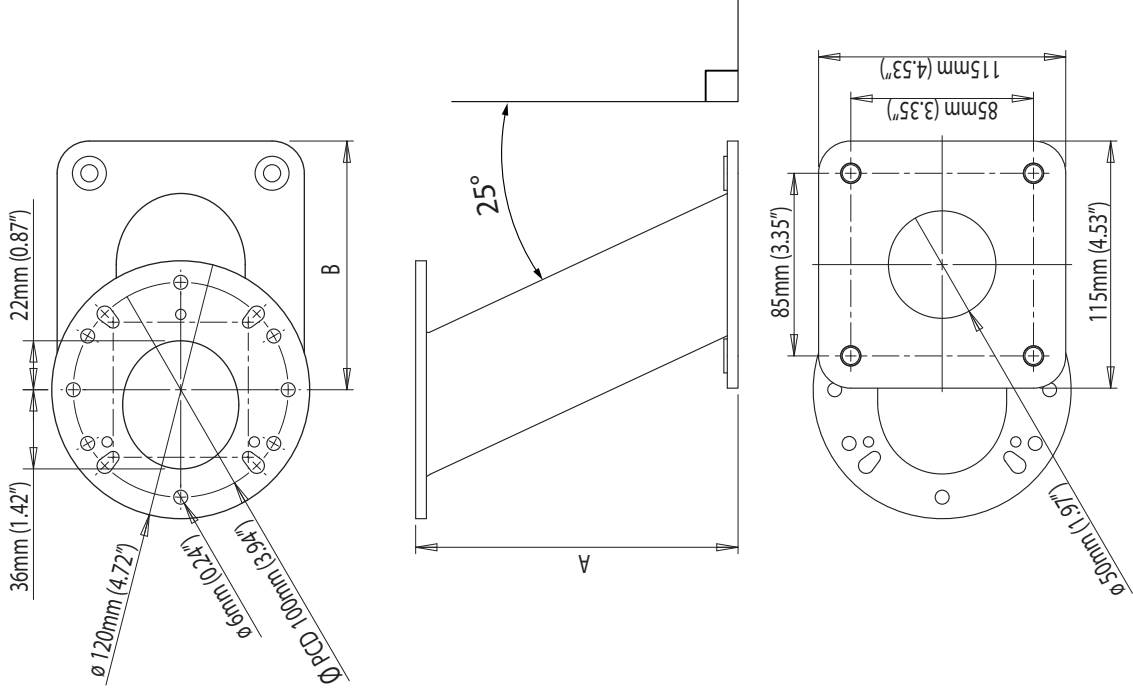


CAM-PT-150-01

Email: sales@scanstrut.com

Email: ussales@scanstrut.com



	A	B
	mm / inches	mm / inches
CAM-PT-150-01	150/5.9	116/4.6

SCANSTRUT®