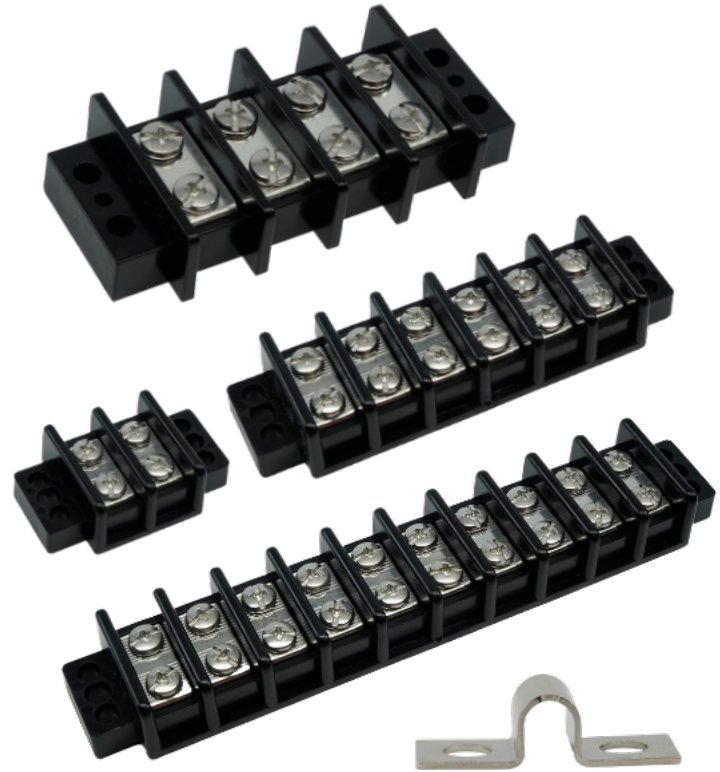


Screw Terminal Connection Pairs provide one input and one output screw connected to separate copper alloy bus bars for each matching connecting pair. Terminal blocks available in 2, 4, 6, 8, 10, or 12 matching connection pairs.

20 Amp, 30 Amp and 65 Amp Sizes with compatible jumpers for bridging circuits as needed.

125 Volt AC or DC Rated easily supports 12, 24, 36, and 48 Vdc systems, as well as 120/240 Vac applications (ensure implementation meets applicable accessibility standards as applicable).

Marine Grade Materials ensure long lasting reliability in harsh environment applications. Tin plated copper alloy conductors, stainless steel hardware, and high temperature insulation materials deliver a robust solution.



Differentiating Features



Protects Ring Terminal Splices from shorting to adjacent circuits or ground with high insulation walls.



Anti-Rotation Ribs on conductor strips reduce the chance of wire terminal rotation if strain relief distances are long.



Bullet-proof Construction: High temperature insulation material, tin plated copper alloy conductors, and stainless steel hardware.

4

4 Year Industry Leading Warranty

20 Amp Terminal Blocks

	Retail Pack	Bulk Pack
Terminal Block 20A - 2 Circuit	2220-02	2220-02B
Terminal Block 20A - 4 Circuit	2220-04	2220-04B
Terminal Block 20A - 6 Circuit	2220-06	2220-06B
Terminal Block 20A - 8 Circuit	2220-08	2220-08B
Terminal Block 20A - 10 Circuit	2220-10	2220-10B

30 Amp Terminal Blocks

	Retail Pack	Bulk Pack
Terminal Block 30A - 2 Circuit	2230-02	2230-02B
Terminal Block 30A - 4 Circuit	2230-04	2230-04B
Terminal Block 30A - 6 Circuit	2230-06	2230-06B
Terminal Block 30A - 8 Circuit	2230-08	2230-08B
Terminal Block 30A - 10 Circuit	2230-10	2230-10B
Terminal Block 30A - 12 Circuit	2230-12	2230-12B

65 Amp Terminal Blocks

	Retail Pack	Bulk Pack
Terminal Block 65A - 2 Circuit	2265-02	2265-02B
Terminal Block 65A - 4 Circuit	2265-04	2265-04B
Terminal Block 65A - 6 Circuit	2265-06	2265-06B
Terminal Block 65A - 8 Circuit	2265-08	2265-08B
Terminal Block 65A - 10 Circuit	2265-10	2265-10B

Terminal Blocks Jumpers

	Retail Pack	Bulk Pack
Terminal Block 20A Jumpers, 5 Pack	2203	2203B
Terminal Block 30A Jumpers, 5 Pack	2202	2202B
Terminal Block 65A Jumpers, 5 Pack	2201	2201B

Electrical Specifications

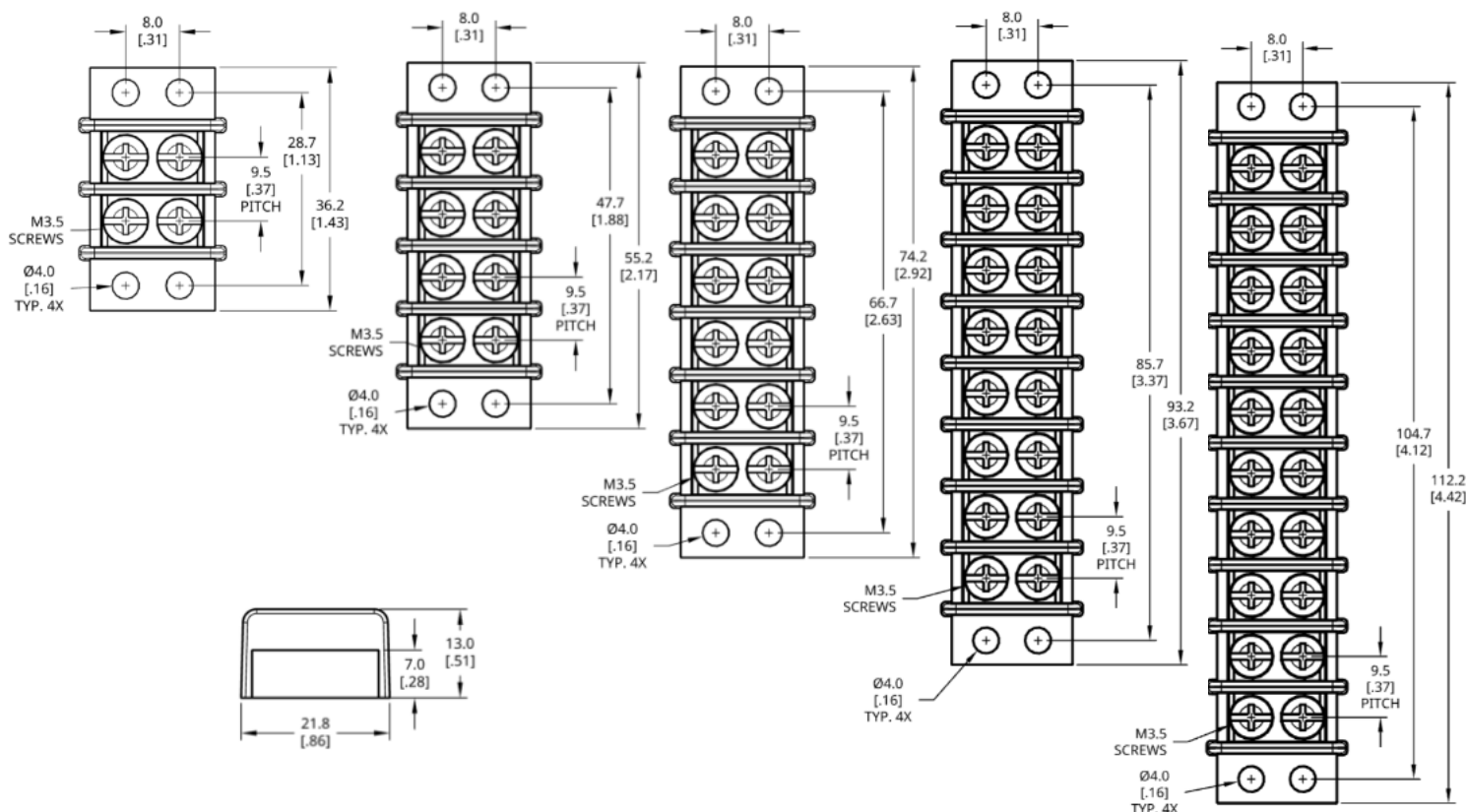
Max Operational Voltage	240 VAC/VDC
Maximum Continuous Current	2220-xx: 20 Amps 2230-xx: 30 Amps 2265-xx: 65 Amps
Dielectric Strength	2000VAC

Physical Specifications

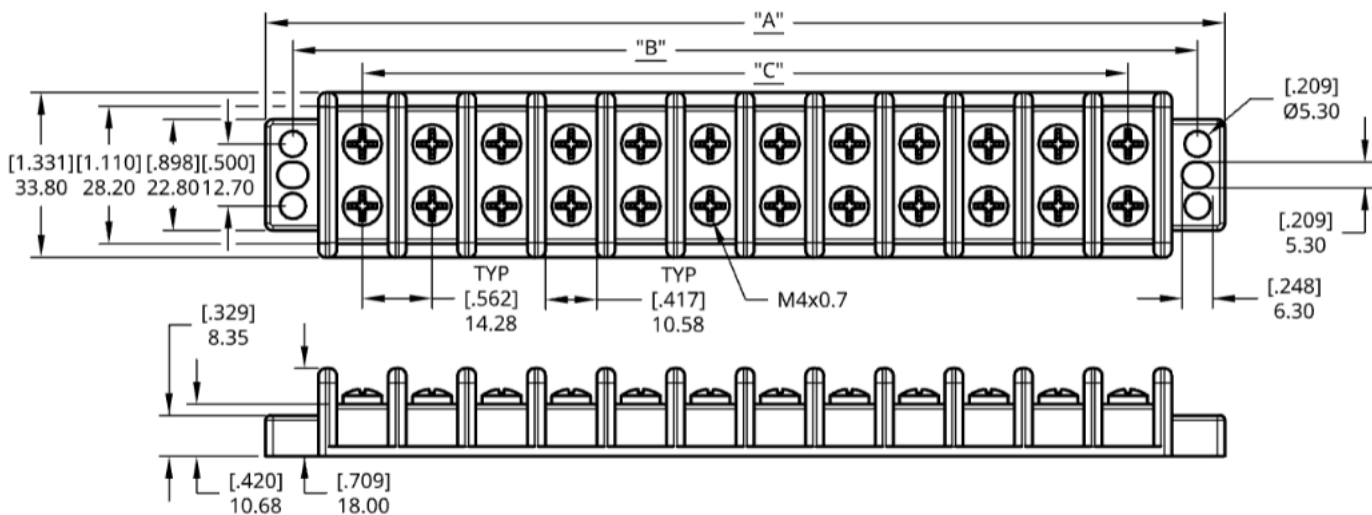
Max Operating Temperature	100 C / 212 F
Min Operating Temperature	-40 C / -40 F
Max Screw Torque (2220-xx)	10 in-lbs (1.1 N-m)
Max Screw Torque (2230-xx)	15 in-lbs (1.7 N-m)
Max Screw Torque (2265-xx)	25 in-lbs (2.8 N-m)
Mounting Screw Size	2220-xx: #8 (M4) 2230-xx: #10 (M5) 2265-xx: #10 (M5)
Terminal Strip Conductor Material	Tin Plated Copper Alloy
Hardware Stud Material	Stainless Steel
RoHs Compliant?	Yes
CE Marked?	Yes

Product Dimensions

2220-xx

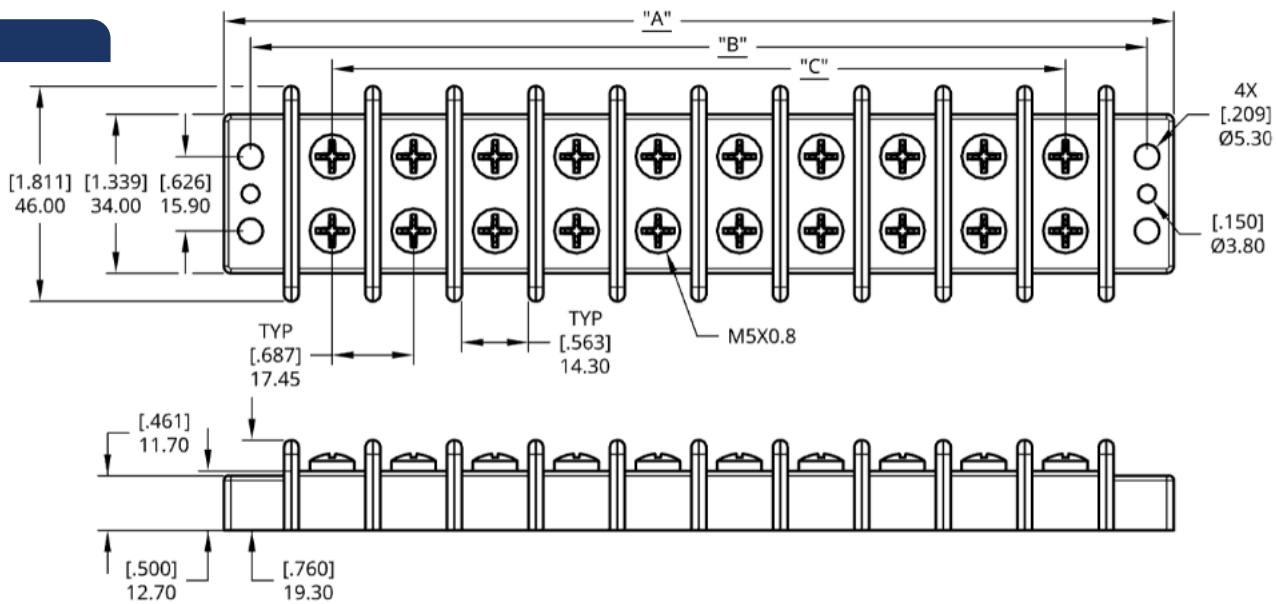


2230-xx



Part Number	"A" (mm)	"B" (mm)	"C" (mm)
2230-02B	54.04	42.84	14.28
2230-04B	82.60	71.40	42.84
2230-06B	111.16	99.96	71.40
2230-08B	139.72	128.52	99.96
2230-10B	168.28	157.08	128.52
2230-12B	196.84	185.64	157.08

2265-xx



Part Number	"A" (mm)	"B" (mm)	"C" (mm)
2265-02B	63.80	52.40	17.45
2265-04B	98.70	87.30	52.35
2265-06B	133.60	122.20	87.25
2265-08B	168.50	157.10	122.15
2265-10B	203.40	192.00	157.05