

**Sealed Against Dust & Water Intrusion** to ensure reliable circuit protection for the life of the electrical system installation.

**Ignition Protected**

Safe for installation in closed compartments with potential explosive gases.

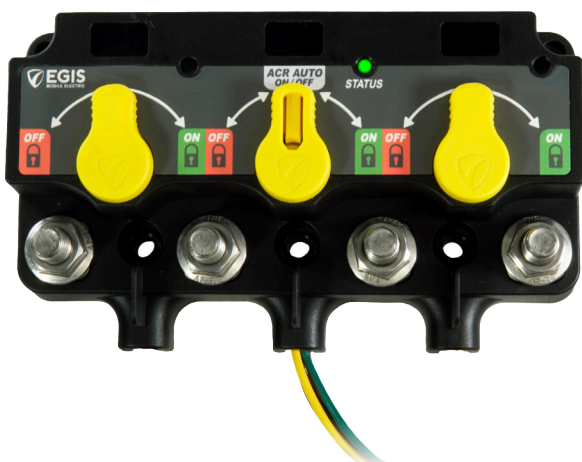
**Serrated Flange Lock Nuts** improves resistance to cable terminal loosening in high-vibration environments.

**Flexible Mounting Options** allow for multiple mounting configurations and a variety of installation types.

**Harsh Environment Design** with stainless-steel hardware, serrated flange nuts, and high temperature materials.



**Related Product: XD Series Add-A-Battery System**



**Isolates Electrical Loads** from batteries when electrical system is not in use, ensuring current draw from load side of switches is eliminated.



**Simple Battery Control Operation** allows connecting, isolating, and combining of up to two batteries with one switch.

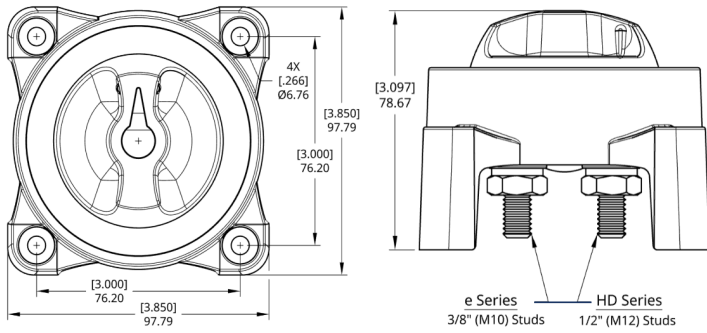


**Bullet-proof Construction:** Stainless-steel hardware, tin-plated copper, and high-temp materials support harsh environment applications.

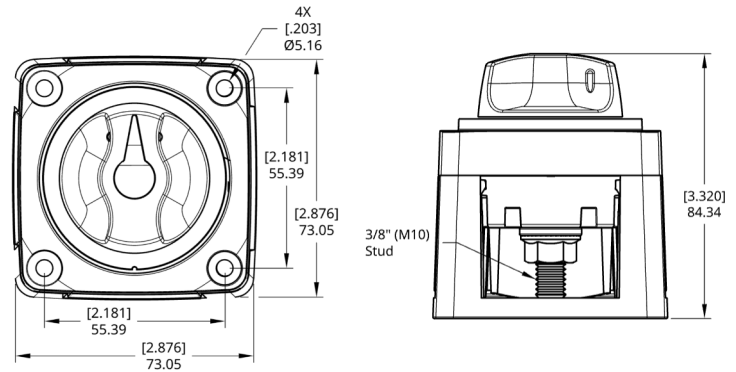


**4 Year Industry Leading Warranty**

Medium and Max Duty



Compact



Medium Duty Specifications

Maximum Voltage (Single Circuit)	48 Vdc
Maximum Voltage (Selector / Dual Circuit)	32 Vdc
Stud/Thread Size	3/8"-16
Terminal Stud Torque	140 in-lbs (15.8 N-m)
Ring Terminal Size Acceptance	3/8" (M10)
Mounting Holes	1/4" (M6) Screw
Live Switching Rating	25 Amps
Ignition Protection Rating	SAE J1171 / ISO 8846
Includes Alternator Field Disconnect (AFD)	PN 2402 Only
Panel/Bulkhead Mount Hole Size	3-5/8" Diameter
Cable Size to Meet Rating	4/0 AWG

Amperage Ratings By Part Number - 30sec / 5min / Continuous

Part Number: 2401	1200 / 600 / 350 Amps
Part Number: 2402	1200 / 600 / 350 Amps
Part Number: 2403	1200 / 600 / 350 Amps
Part Number: 2410	700 / 525 / 350 Amps
Part Number: 2411	700 / 525 / 350 Amps

Max Duty Specifications

Maximum Voltage	32 Vdc
Stud/Thread Size	M12x1.75
Terminal Stud Torque	220 in-lbs (24.9 N-m)
Ring Terminal Size Acceptance	M12 / 1/2"
Mounting Holes	1/4" (M6) Screw
Switching Rating	25 Amps
Ignition Protection Rating	SAE J1171 / ISO 8846
Panel/Bulkhead Mount Hole Size	3-5/8" Diameter
Cable Size to Meet Rating	2x 4/0 AWG per side (4x total)

Amperage Ratings By Part Number - 30sec / 5min / Continuous

Part Number: 2500	1750 / 900 / 600 Amps
Part Number: 2502	1600 / 700 / 500 Amps

Compact Specifications

Maximum Voltage (Single Circuit)	48 Vdc
Maximum Voltage (Selector / Dual Circuit)	32 Vdc
Stud Size And Thread	3/8"-16
Terminal Stud Torque	120 in-lbs (13.6 N-m)
Ring Terminal Size Acceptance	3/8" (M10)
Mounting Holes	#10 Screw
Live Switching Rating	25 Amps
Ignition Protection Rating	SAE J1171 / ISO 8846
Bulkhead / Panel - Mounting Hole Size	2-5/8" / 2-5/16"
Cable Size to Meet Rating	4/0 AWG

Amperage Ratings By Part Number - 30sec / 5min / Continuous

Part Number: 2305	900 / 500 / 300 Amps
Part Number: 2306	900 / 500 / 300 Amps
Part Number: 2306-200	900 / 500 / 300 Amps
Part Number: 2307	900 / 500 / 300 Amps
Part Number: 2308	900 / 500 / 300 Amps
Part Number: 2310	675 / 450 / 300 Amps
Part Number: 2311	675 / 450 / 300 Amps
Part Number: 2311-200	675 / 450 / 300 Amps

Part Numbers

Retail Pack Bulk Pack

Compact Battery Switch, Key Single Circuit, Red	2305	2305B
Compact Battery Switch, Single Circuit, Red	2306	2306B
Compact Battery Switch, Single Circuit, Black	2306-200	2306-200B
Compact Battery Switch, 4 Position Selector, Red	2307	2307B
Compact Battery Switch, Dual Circuit, Red	2310	2310B
Compact Battery Switch, Dual Circuit Plus, Red	2311	2311B
Compact Battery Switch, Dual Circuit Plus, Black	2311-200	2311-200B
Medium Battery Switch, 4 Position Selector, Red	2401	2401B
Medium Batt Switch, 4 Pos Selector w/AFD, Red	2402	2402B
Medium Battery Switch On/Off, Red	2403	2403B
Medium Battery Switch, Dual Circuit, Red	2410	2410B
Medium Battery Switch, Dual Circuit Plus, Red	2411	2411B
Max Duty Battery Switch, On/Off, Grey	2500	2500B
Max Duty Battery Switch, 4 Position Sel, Grey	2502	2502B

**User Warning:** These products are not meant to switch live loads over 25Amps. Ensure that the engine is turned off before switching the battery switch to off.

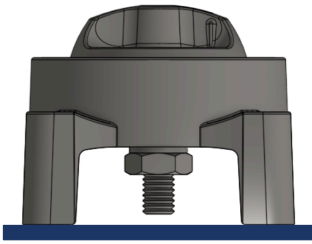


www.egismobile.com  
360.768.1211  
Bellingham, WA U.S.A

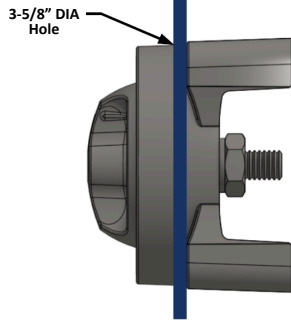


**Medium and Max Duty**

**Surface Mount**



**Panel/Bulkhead Mount**

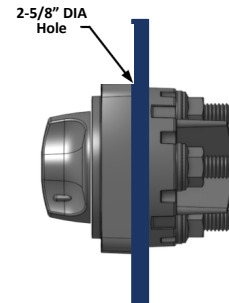


**Compact**

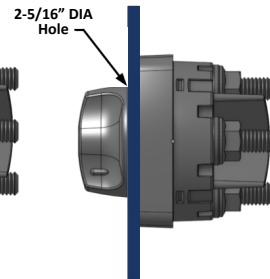
**Surface Mount**



**Bulkhead Mount**

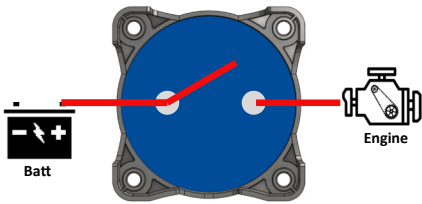


**Panel Mount**



**Installation and Load Diagrams**

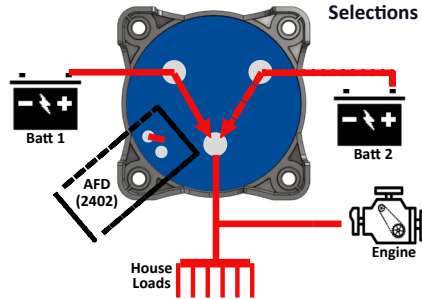
**Single Circuit**



2 Position On/Off Selector Controls a Single Circuit

Associated Part Numbers
2305
2306
2306-200
2403

**3 - Post Battery Switches**



2 Position Selector (2500):

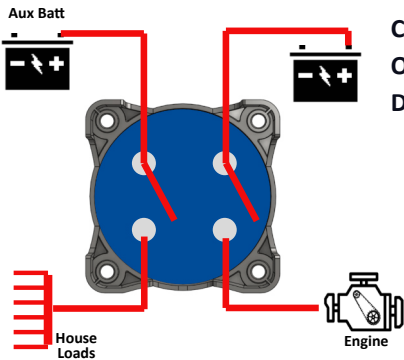
Dual Input, Single Output On / Off or Single Input, Dual Output On / Off Selector

4 Position Selector:

Selections for Battery 1, Battery 2, Battery 1+2, Off

Associated Part Numbers
2307
2401
2402
2500
2502

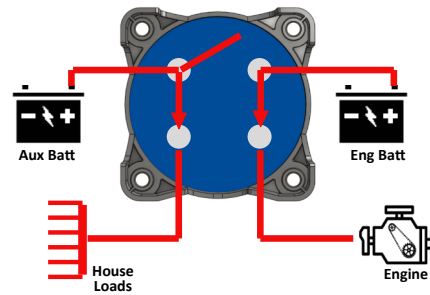
**Dual Circuit**



2 Position On/Off Selector Controls Two Independent Circuits. Optional Alternator Field Disconnect (2402).

Associated Part Numbers
2310
2410

**Dual Circuit Plus**



3 Position Selector Controls Two Independent Circuits, With the Option To Combine Them

Associated Part Numbers
2311
2311-200
2411

**Related Products - XD Relay Battery Management**

**XD Series - Remote Battery Switches and VSRs**



**Competitive Advantages**

- Remote switching allows switching from the helm.
- Intelligent battery charge management allows charging and isolation with zero operator intervention.
- Can be placed directly next to batteries, resulting in heavy duty cable cost and weight savings.
- Modular for easy battery and engine expansion.
- NMEA compatible remote switching available.