

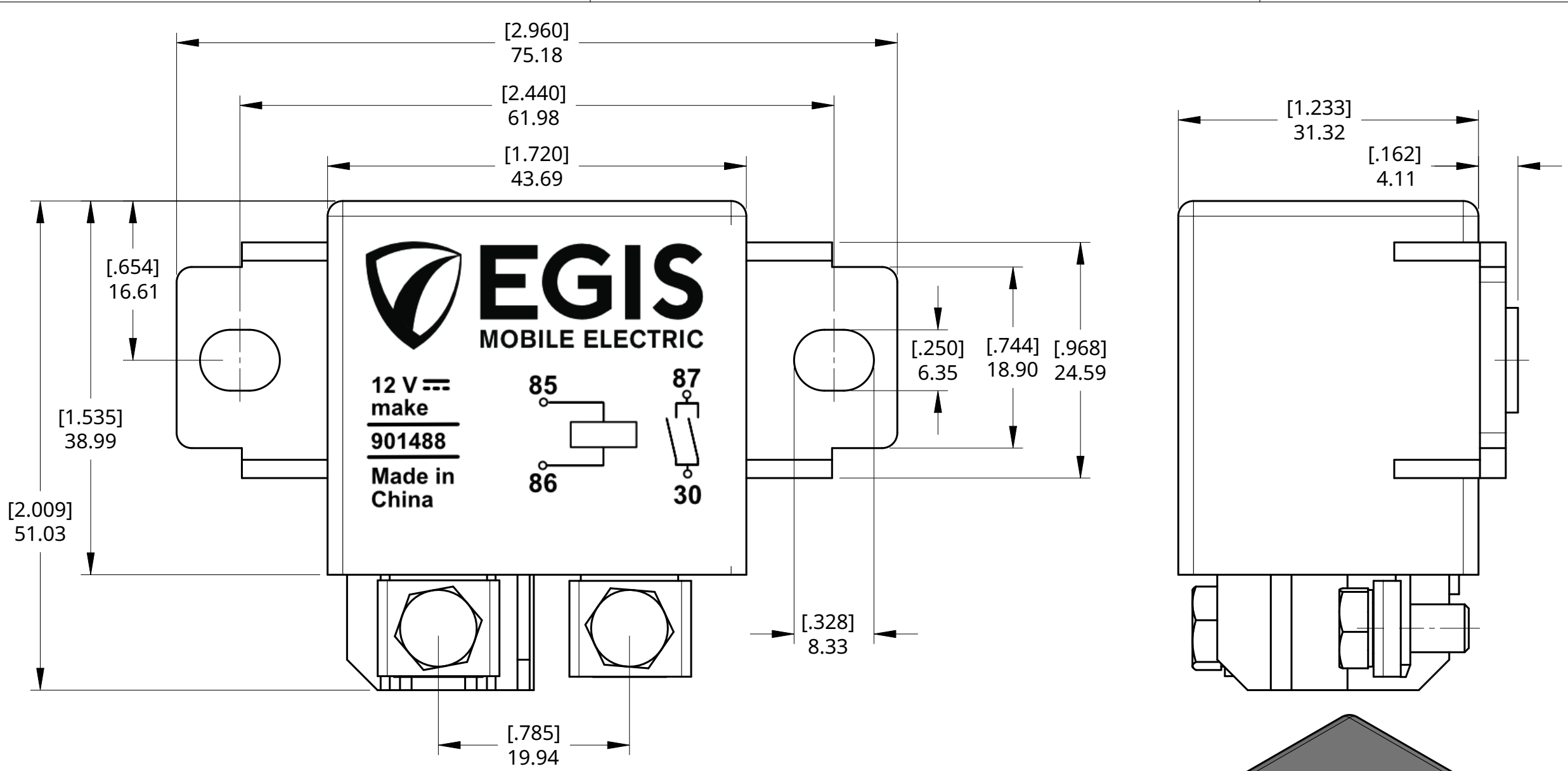
4

3

2

1

REVISIONS				
ZONE	REV.	DESCRIPTION	DATE	APPROVED
	B	COUNTRY OF ORIGIN ON LASER MARK/SILKSCREEN CHANGED	10/4/21	
	C	UPDATED M5 SCREW TORQUE SPEC	6/17/25	

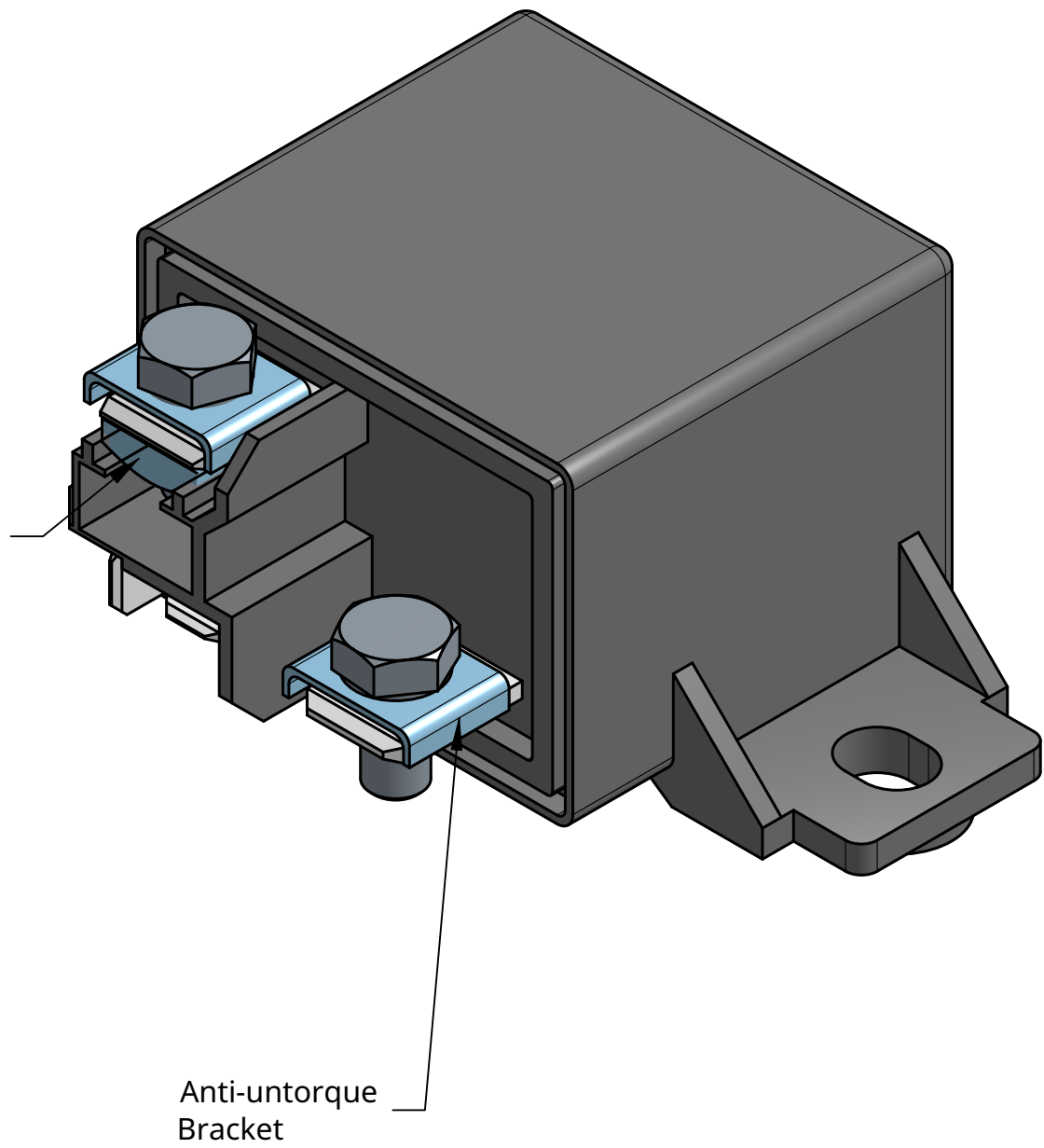
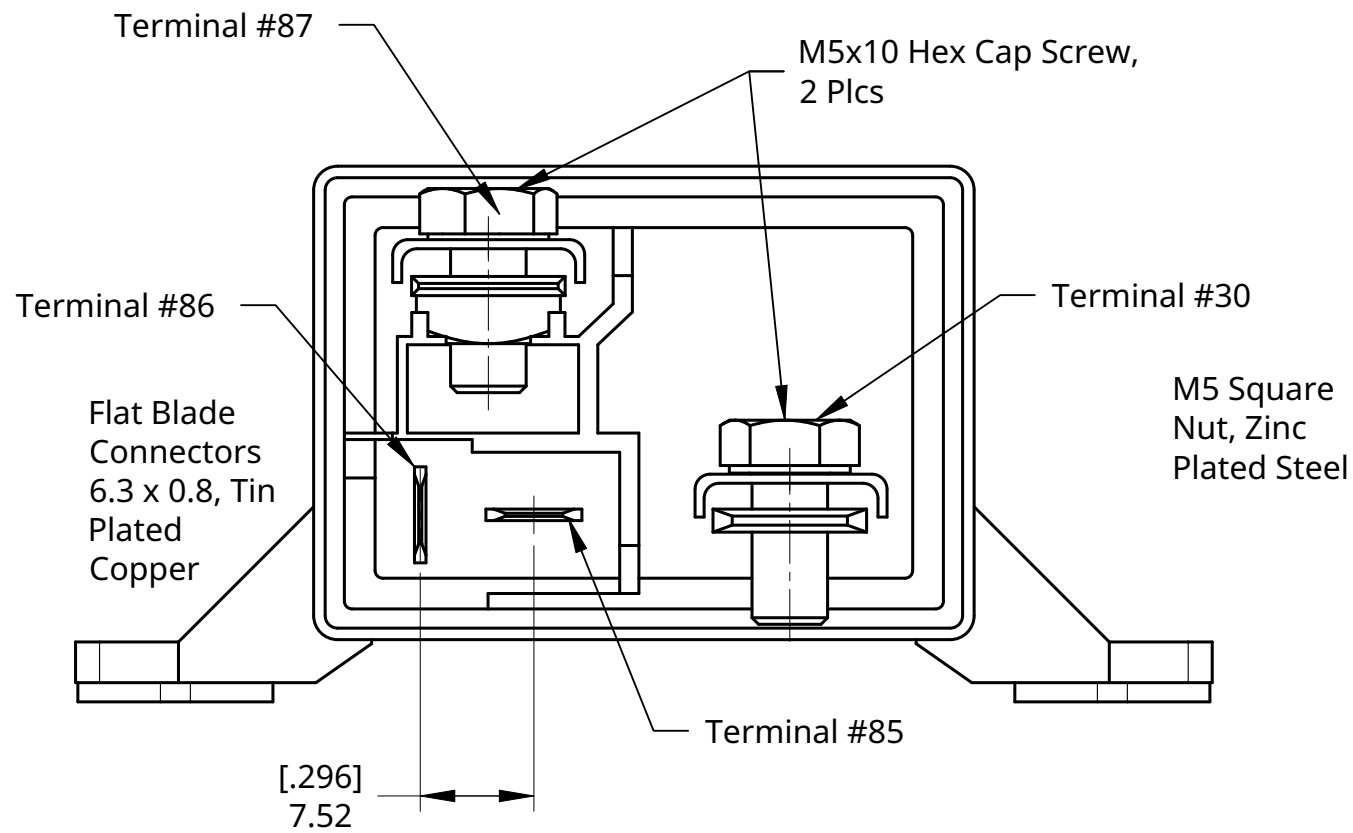


Environmental Specifications

Ignress Protection: IP54, sealing in accordance with IEC 68
 Ambient temperature: -40°C to +125°C
 Dry heat, IEC 60068-2-2: 500h at 100°C
 Damp heat constant, IEC 60068-2-3 (78), Ca
 - 56 days, 40°C, 93% RH
 Corrosive gas
 - IEC 60068-2-42: 10 days
 - IEC 60068-2-43: 10 days
 Vibration resistance (functional)
 - IEC 60068-2-6 (sine sweep): 10 to 500Hz >5g)
 Shock resistance (functional)
 - IEC 60068-2-27 (half sine): 11ms >20g)
 Drop test, free fall
 - IEC 60068-2-32: 1m onto concrete
 Terminal retention
 pull force: 100N
 push force: 100N
 M5 scw torque: 20 in-lb (2.3 Nm)
 Weight approx.: 38g (1.3oz)

Contact Specifications

Contact arrangement: 1 Form A / 1 NO Bi-Furcated
 Rated current: 50A at 85°C
 Limiting continuous current
 - 23°C: 75A
 - 85°C: 50A
 - 125°C: 20A
 Limiting making current, load current max. 3s on,
 - make/break ratio(1:10): 150A
 Limiting breaking current: 75A
 Contact material: Silver Tin Oxide
 Min. recommended contact load: 1A at 12VDC
 Initial contact resistance: 50mOhm @ 0.1 A / 6 Vdc
 Frequency of operation, with/without load: 6 ops./min
 Operate/release time typ. at nominal voltage: 7/2ms
 Electrical endurance
 - resistive load: 100,000 cycles at 75A, 13.5VDC
 Mechanical endurance: >1,000,000 operations
 Rated coil power: 3.3W
 Max. coil temperature: 155°C
 Rated Voltage: 12 Vdc
 Operate Voltage: 8.8 Vdc
 Release Voltage: 1.5 Vdc
 Coil Resistance (+/- 10%): 46 Ohms
 Rated Coil Power: 3.1 Watts



UNLESS OTHERWISE SPECIFIED, DIMENSIONS ARE IN MILLIMETERS .XX = ±.13 ANGULAR = ± ° .XXX = ±.050 FRACTIONAL = ±	NAME	DATE
SURFACE FINISH	Eric Graham	07/22/2021
DO NOT SCALE DRAWING		
BREAK ALL SHARP EDGES AND REMOVE BURRS		
THIRD ANGLE PROJECTION	THIS DRAWING AND THE INFORMATION CONTAINED WITHIN IT ARE CONFIDENTIAL AND MAY NOT BE COPIED OR DISCLOSED WITHOUT THE WRITTEN PERMISSION OF EGIS MOBILE ELECTRIC.	

		Egis Mobile Electric 3135 Mercer Ave, Ste 102 Bellingham, WA 98225, USA
TITLE 901488 75A/12V RELAY - DUAL CONTACT		
SIZE C	DWG NO.	REV.
SCALE NTS	WEIGHT	SHEET 1 of 1

4

3

2

1

D

D

C

C

B

B

A

A