

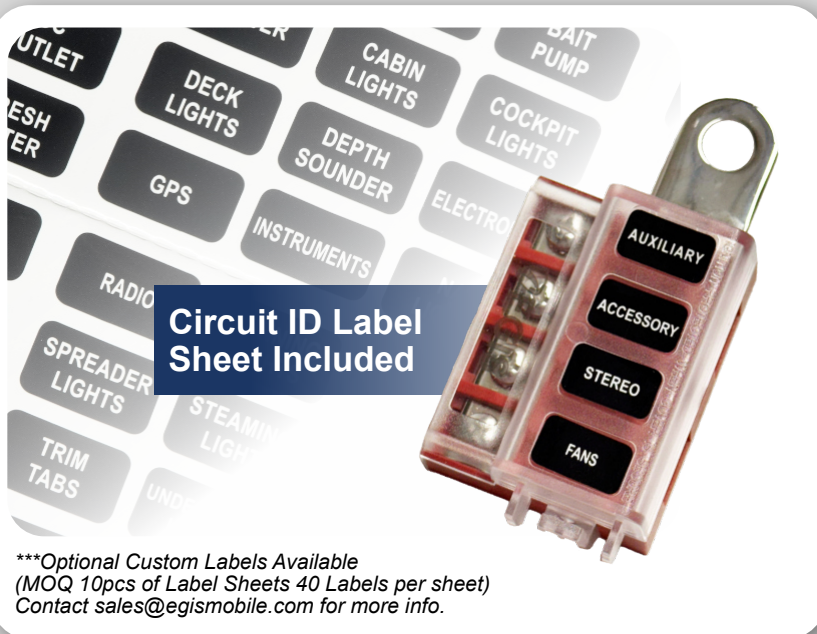
Compact inline 4 & 8 position fuse blocks have single side wire entry for tight installations spaces.

Ignition Protected when latching cover is secure for use in engine bay / combustible environments.

Harsh Environment Design with stainless steel self-locking hardware and optional weather-proof labels in standard or customized options

8037 6 Circuit Independent input/output fuse block allows for all positions to be isolated and fused separately.

Includes Latching Protective Cover with integrated label recesses for easy circuit/fuse identification



Circuit ID Label Sheet Included

***Optional Custom Labels Available
(MOQ 10pcs of Label Sheets 40 Labels per sheet)
Contact sales@egismobile.com for more info.

Marine Grade Construction: Designed with high temperature materials and stainless steel self-locking hardware allow mounting anywhere on vehicle or vessel.



Supports SAE & ABYC Circuit Protection Standards for thermal/short circuit events.

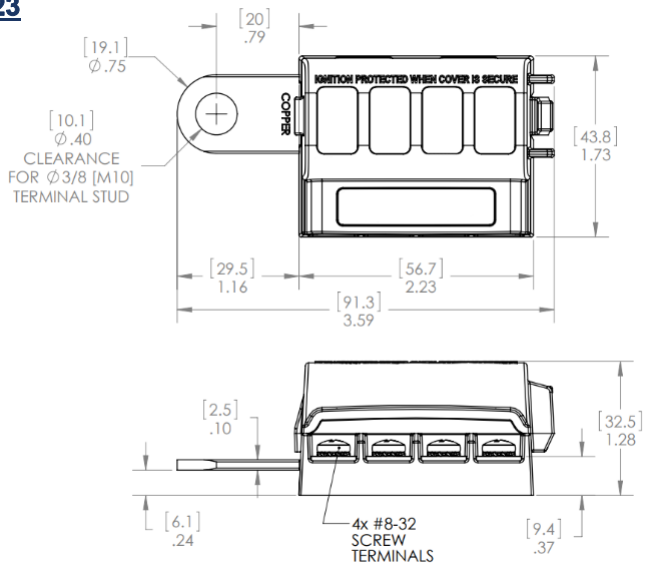


Protects Branch Circuits by accepting ATO style fuses ranging from 1 through 40 Amps

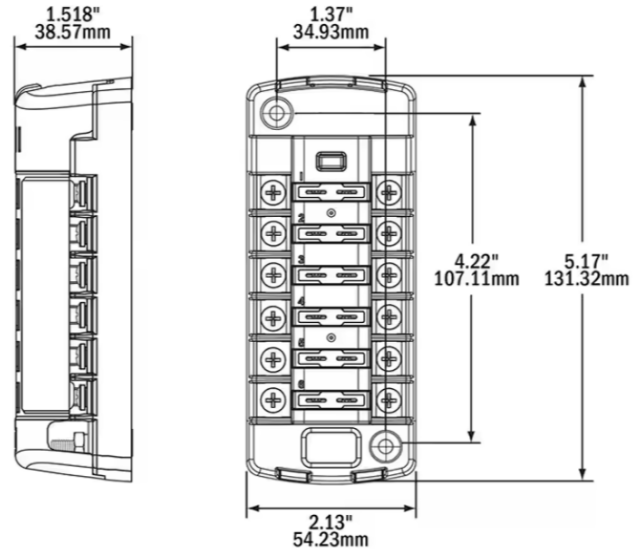


4 4 Year Industry Leading Warranty

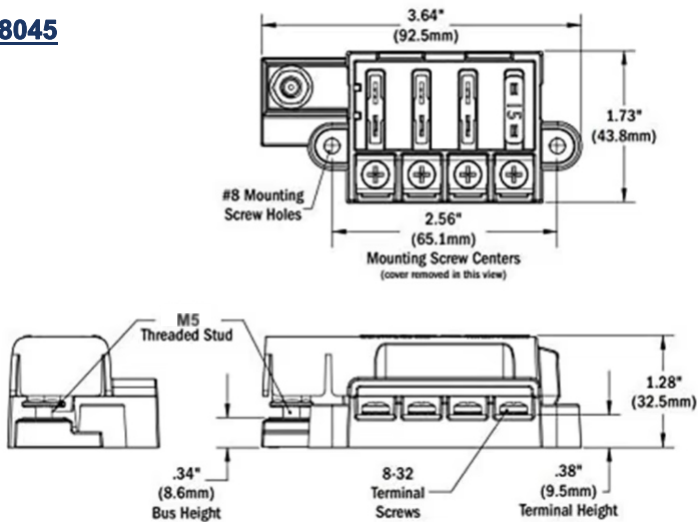
8023



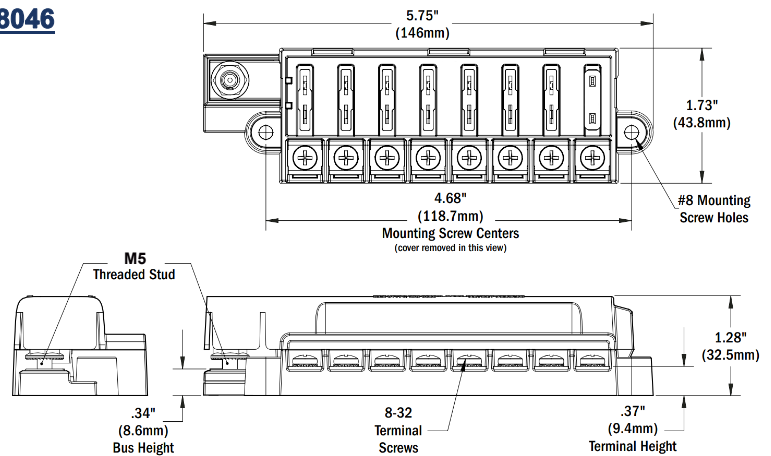
8037



8045



8046



Specifications

Nominal Voltage	12/24 Vdc
Voltage Range	0-60 Vdc
Maximum Current (Entire Block)	100 Amps
Maximum Current Per Circuit	30 Amps
Maximum Output Terminal Size	10 AWG
Input Cable Size To Meet Ratings	6 AWG
Maximum Input Terminal Size	2 AWG
Hardware Material	18-8 Stainless Steel
Input Terminal Nut Size	M5-0.8
Output Screw Size	M4-0.7 x 8mm
Input Terminal Torque	1.70 N-m (15 in-lb)
Output Screw Torque	1.13 N-m (10 in-lb)
Input Ring Terminal Size (8045, 8046, 8037)	M5 / #10 / ¼"
Input Ring Terminal Size (8023)	M10 / 3/8"
Output Ring Terminal Size	M4 / #8
Input Nut Hex Size / Nut Clearance	8mm / 12mm

Part Numbers

	Retail	Bulk
RT Battery Terminal Mount Fuse Block 4 Circuit	8023	8023B
RT Fuse Block 6 Independent Circuits w/Cover	8037	8037B
RT Fuse Block 4 Circuits w/Cover	8045	8045B
RT Fuse Block 8 Circuits w/Cover	8046	8046B

Related Part Numbers

	Retail	Bulk
RT Fuse Block, 6 Circuit w/Ground	8025	8025B
RT Fuse Block 12 Circuit w/Ground	8026	8026B
RT Fuse Block, 6 Circuit	8028	8028B
RT Fuse Block 12 Circuit	8029	8029B
RT 12 Circuit Ground Block	8030	8030B
RT Fuse Block, 18 Circuit w/Ground	8031	8031B
RT Fuse Block, 18 Circuit	8032	8032B

(1) Contact factory for custom label sheet configurations of weather resistant labels design to provide professional finish appearance to installations.



www.egismobile.com
360.768.1211
Bellingham, WA U.S.A

